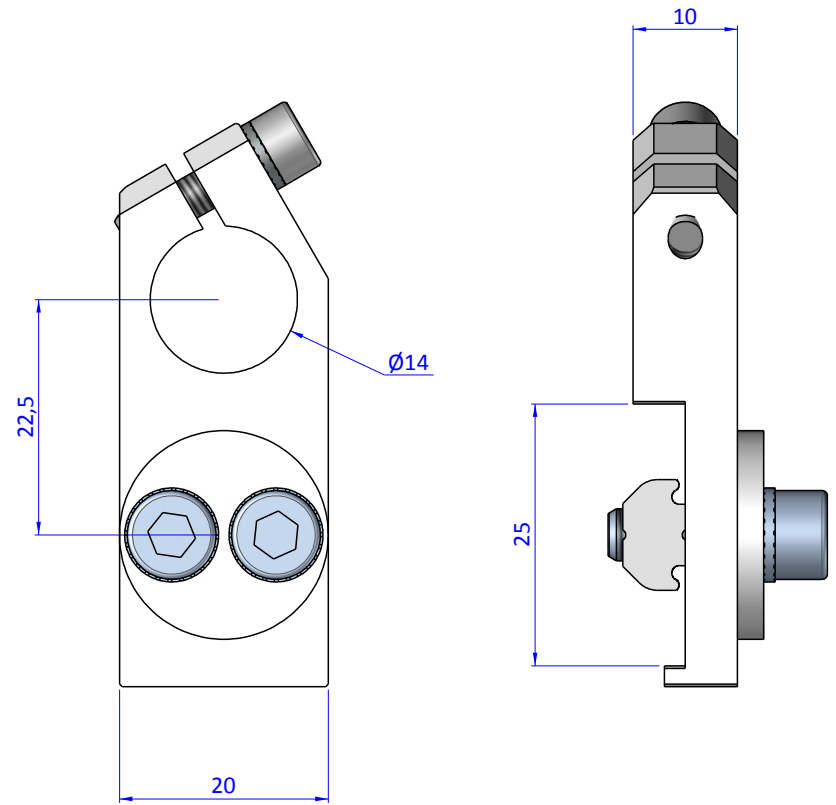
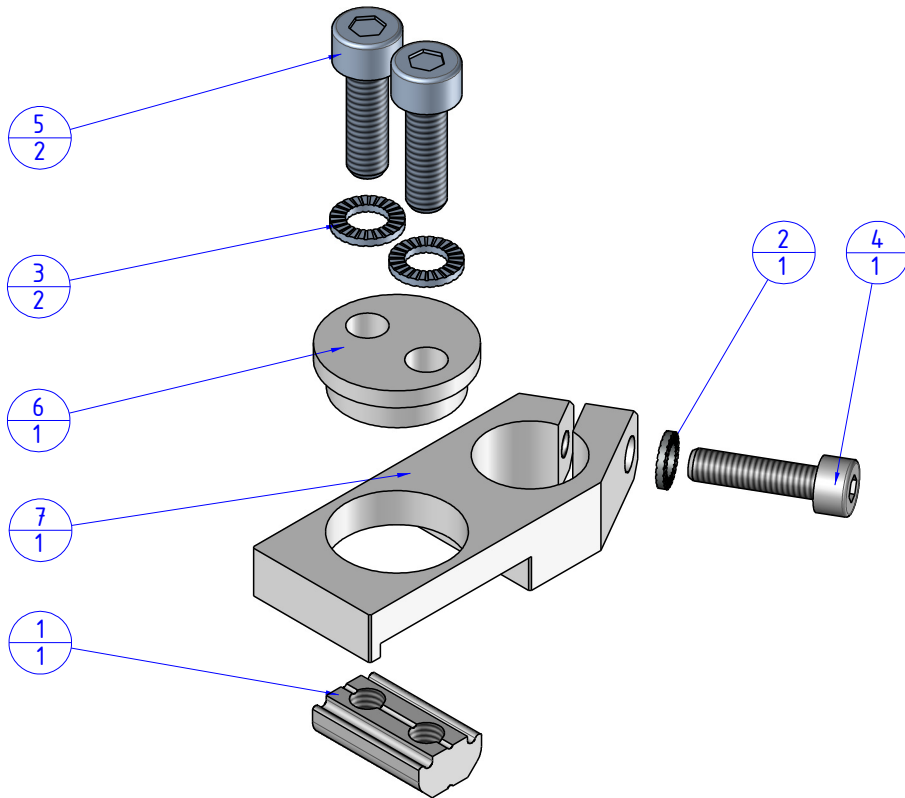


THE PROPERTY OF THE DRAWING IS ESTABLISHED BY LAW. IT IS FORBIDDEN TO PRODUCE OR SHOW IT TO THIRD PARTY, WITHOUT A WRITTEN AGREEMENT.

Item	Name	Q. ty
1	CA.GWP.5.10	1
2	R.4.SCH	1
3	R.5.SCH	2
4	V.TCE4x16	1
5	V.TCE5x16	2
6	WST.14.1	1
7	WST.14.X	1



Format A3

UNI 936-76

		DESIGNED FROM		REVIEW
		FPSERVICES		A
GENERAL TOLERANCE		DATE	WEIGHT	
UNI - ISO 2768		30/04/2016	0,034kg	
CLASSE f		CODE		
		CA.WST.14.X		CA.WST.14.X